

Hour meters / timers, electromechanical

Timers with DIN dimensions **DIN counters for panel mount, 48 x 24 mm (AC+DC)** **H 37**



The hour meters H 37 feature a very high shock resistance. These panel mount counters with standard DIN dimensions can be used in many different fields of application. These non-resettable counters are extremely tamper-proof.



Characteristics

- 7- or 8-digit hour meter
- Without reset, high shock resistance
- Small dimensions, magnified large figures
- Protection IP65 on the front side
- Panel mount counter with integrated spring clip (H 37.4)
- UL-approved

Benefits

- 5 years guarantee ¹⁾
- High reliability: for a better sale of your final product
- Data retention in case of power failure
- Long service life

Applications

General time measurement, maintenance intervals for measuring instruments (respiration units, oxygen, dialysis), small appliances, UV lamps, display panels in vehicles

Hour meters /
Timers

Type series

Description	Mounting	Panel cut-out	Type
Standard DIN counter for panel mount	mounting clip, on rear	45 x 22 [1.77 x 0.91"]	H 37
Standard DIN counter for panel mount	2 mounting holes	50 x 25 [1.97 x 0.98"]	H 37.1
Standard DIN counter for panel mount	mounting clip, on rear	50 x 25 [1.97 x 0.98"]	H 37.2
Standard DIN counter for panel mount	mounting clip, on rear	45 x 22 [1.77 x 0.91"]	H 37.5

1) When used as specified in the technical data

Hour meters / timers, electromechanical

Timers with DIN dimensions	DIN counters for panel mount, 48 x 24 mm (AC+DC)	H 37
Accessories	Dimensions in mm [inch]	Order-No.
Adapter front bezel, 72 x 36 [2.83 x 1.42]	For cut-out 68 x 33 [2.68 x 1.30] to cut-out 45 x 22.2 [1.77 x 0.87], for counters 48 x 24 [1.89 x 0.94], as set black and silver anodised	162704 Set
Adapter front bezel, 48 x 48 [1.89 x 1.89]	For cut-out 45 x 45 [1.77 x 1.77] to cut-out 45 x 22.2 [1.77 x 0.87], with clip mounting for counters 48 x 24 [1.89 x 0.94] black	T008883
Adapter front bezel, 60 x 50 [2.36 x 1.97]	For cut-out 54 x 29 [2.13 x 1.14] to cut-out 45 x 22.2 [1.77 x 0.87], with screw mounting and gasket for counters 48 x 24 [1.89 x 0.94] black	N003001
Adapter front bezel, 56 x 40 [2.20 x 1.57]	For cut-out 50 x 25 [1.97 x 0.98] to cut-out 45 x 22.2 [1.77 x 0.87], with screw mounting for counters 48 x 24 [1.89 x 0.94] black	T008161
Adapter front bezel, 53 x 28 [2.09 x 1.10]	For cut-out 54 x 29 [2.13 x 1.14] to cut-out 45 x 22.2 [1.77 x 0.87], with clip mounting for counters 48 x 24 [1.89 x 0.94] grey black	T008164 T008165
Transparent cover, lockable, IP65	For cut-out 54 x 29 [2.13 x 1.14], for screw mounting to front bezel F1B or adapter front bezel N003001, for counters with cut-out 50 x 25 [1.97 x 0.98] or 45 x 22.2 [1.77 x 0.87]	N003002
Sealing cover type K1, IP65	Suitable for front bezel 60 x 50 [2.36 x 1.97], for screw mounting of electromech. counters and via adapter front bezel N003001 for counters 48 x 24 [1.89 x 0.94]	G008301
Mounting frame with cut-out 50 x 25 [1.97 x 1.97] via separate adapter also for 45 x 22.2 [1.77 x 0.87]	For snap-on mounting on 35 [1.38] top-hat DIN rail, for counters 53 x 28 [2.09 x 1.10] and via separate adapter (T008180) for counters 48 x 24 [1.89 x 0.94] chromated	G300004
Gasket 53 x 28 [2.09 x 1.10]	For cut-out 50 x 25 [1.97 x 0.98], suitable for H 37.2 and H 37.4 black	N511015
Gasket 48 x 24 [1.89 x 0.94]	For cut-out 45 x 22 [1.77 x 0.87], suitable for H 37 and H 37.5 black	N511029
Terminal cover type KA 37	For H 37 counters (2 pcs. per counter required) transparent	T051687

Suitable gaskets as well as further accessories can be found in the accessories section or in the accessories area of our website at: www.kuebler.com/accessories.

Technical data	
Electrical connection	screw terminals (tightening torque max. 0.8 Nm)
Power consumption	10 ... 30 V DC approx. 500 mW 36 ... 80 V DC approx. 900 mW 100 ... 130 V DC approx. 750 mW 20 ... 30 V AC, 50 Hz approx. 0.3 VA 42 ... 48 V AC, 50 Hz approx. 0.25 VA 100 ... 130 V AC, 50 Hz approx. 0.6 VA 187 ... 264 V AC, 50 Hz approx. 1.2 VA
Rated voltages	AC (50 or 60 Hz) 20 ... 30 V, 42 ... 48 V, 100 ... 130 V, 187 ... 264 V DC 10 ... 30 V, 36 ... 80 V, 100 ... 130 V
On time	100 %
Number of digits	AC 7 – 99999.99 h DC 8 – 999999.99 h
Resolution	0.01 h equals 36 s
Height of figures	4 mm [0.16"]
Colour of figures	white and red on black
Reset	no reset
Operating temperature	-15°C ... +50°C [+5°F ... +122°F] (non-condensing)
Storage temperature	-40°C ... +85°C [-40°F ... +185°F]
Relativ humidity	< 95 % (non-condensing)
Mounting position	any

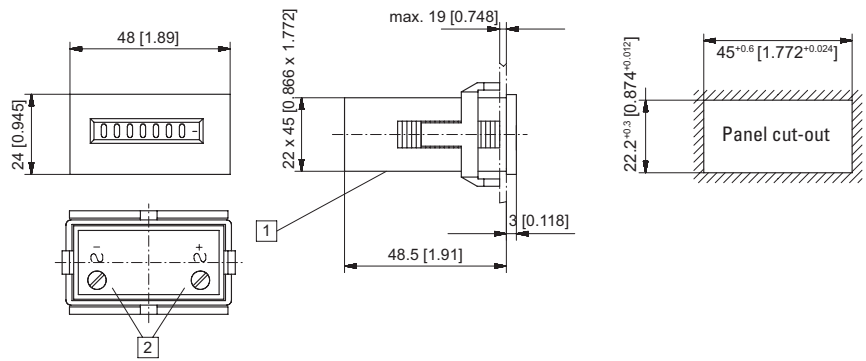
Protection	IP65 (front side) built in with gasket, (order gasket separately)
EMC	Emitted interference EN 55011 class B Immunity to interference EN 61000-6-2
Device safety	Designed to EN 61010 part 1 Protection class 2 Application area Pollution level 2
UL approval	E128604
Housing	plastic PC (Polycarbonate) types with IP65 protection are sealed (potted)
Accuracy	AC supply frequency + 30 ms DC < 0.003 % (at 24 h)
Weight	H 37 approx. 50 g [1.76 oz] slip on bezel 37.1 6 g [0.21 oz] slip on bezel 37.2 2 g [0.07 oz]

Options	
Colour of housing	grey Art.-No. 3.130.X50.XXX
Electrical connection	flat pin 0.8 x 6.3 mm [0.031 x 0.25"] Art.-No.: 3.24X.20X.XXX.011 screw terminal with terminal cover Art.-No.: 3.24X.20X.XXX.456
360 - 440 V AC	on request

Hour meters / timers, electromechanical

Timers with DIN dimensions **DIN counters for panel mount, 48 x 24 mm (AC+DC)** **H 37**

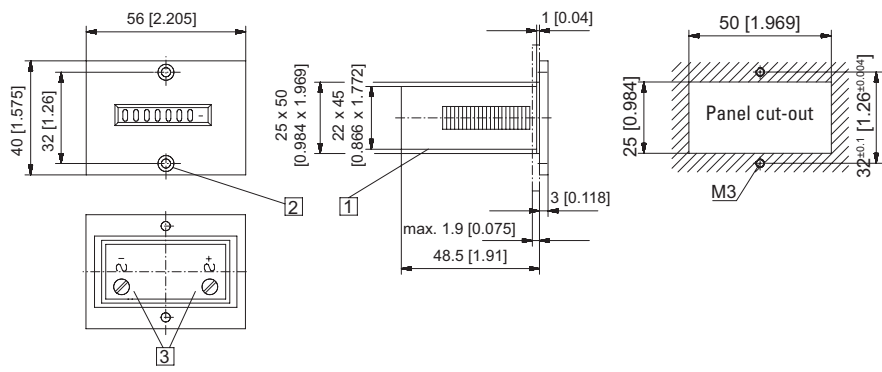
**Mounting clip, on rear,
panel mount dimensions 45 x 22 [1.77 x 0.91]
Type H 37**



1 Wire entry 2 Screw terminal with flat pin 0.8 x 6.3 [0.031 x 0.25]

Type	Display	Voltage	Art.-No.					
			10 ... 30 V	20 ... 30 V	36 ... 80 V	42 ... 48 V	100 ... 130 V	187 ... 264 V
H 37	7 digits	AC (50 Hz)		3.240.201.071		3.240.201.072	3.240.201.074 ¹⁾	3.240.201.075 ¹⁾
		AC (60 Hz)		3.240.201.081		3.240.201.082	3.240.201.084	3.240.201.085
		DC	3.240.201.351 ¹⁾	3.240.201.353	3.240.201.381			

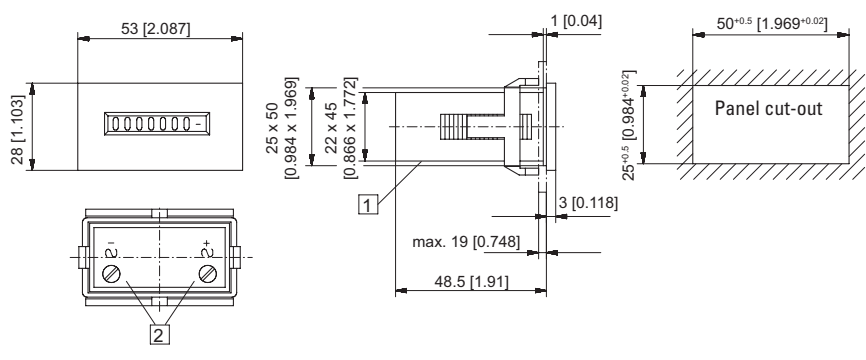
**2 mounting holes,
panel mount dimensions 50 x 25 [1.97 x 0.98"]
Type H 37.1**



1 Wire entry 2 Countersinking Af3, DIN 74 3 Screw terminal with flat pin 0.8 x 6.3 [0.031 x 0.25]

Type	Display	Voltage	Art.-No.					
			10 ... 30 V	20 ... 30 V	36 ... 80 V	42 ... 48 V	100 ... 130 V	187 ... 264 V
H 37.1	7 digits	AC (50 Hz)		3.241.201.071		3.241.201.072	3.241.201.074	3.241.201.075
		AC (60 Hz)		3.241.201.081		3.241.201.082	3.241.201.084	3.241.201.085
		DC	3.241.201.351 ¹⁾	3.241.201.353	3.241.201.381			

**Mounting clip, on rear,
panel mount dimensions 50 x 25 [1.97 x 0.98"]
Type H 37.2**



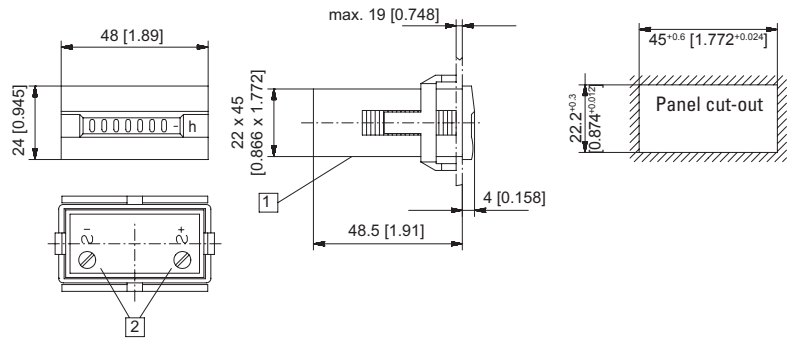
1 Wire entry 2 Screw terminal with flat pin 0.8 x 6.3 [0.031 x 0.25]

Type	Display	Voltage	Art.-No.					
			10 ... 30 V	20 ... 30 V	36 ... 80 V	42 ... 48 V	100 ... 130 V	187 ... 264 V
H 37.2	7 digits	AC (50 Hz)		3.242.201.071		3.242.201.072	3.242.201.074	3.242.201.075 ¹⁾
		AC (60 Hz)		3.242.201.081		3.242.201.082	3.242.201.084	3.242.201.085
		DC	3.242.201.351 ¹⁾	3.242.201.353	3.242.201.381			

Hour meters / timers, electromechanical

Timers with DIN dimensions **DIN counters for panel mount, 48 x 24 mm (AC+DC)** **H 37**

**DIN counter for panel mount
mounting clip, on rear,
panel mount dimensions 45 x 22 [1.77 x 0.91]
Type H 37.5**



1 Wire entry 2 Screw terminal with flat pin 0.8 x 6.3 [0.031 x 0.25]

Type	Display	Voltage	Art.-No.						
			10 ... 30 V	20 ... 30 V	36 ... 80 V	42 ... 48 V	100 ... 130 V	187 ... 264 V	
H 37.5	7 digits	AC (50 Hz)		3.245.201.071		3.245.201.072	3.245.201.074	3.245.201.075 ¹⁾	
		AC (60 Hz)		3.245.201.081		3.245.201.082	3.245.201.084	3.245.201.085	
		DC	3.245.201.351 ¹⁾		3.245.201.353		3.245.201.381		